

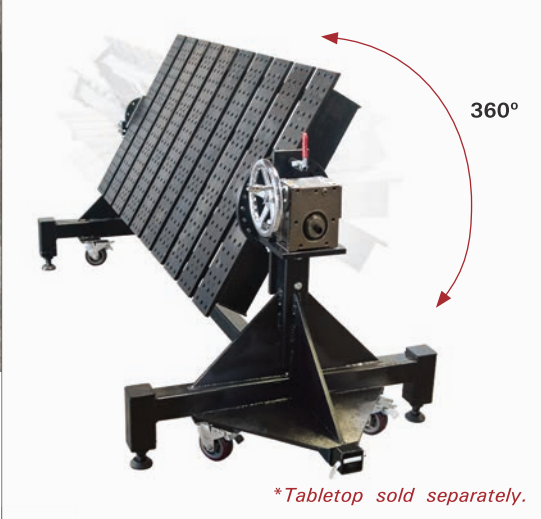
ROTARY POSITIONERS

Mount your BuildPro® or Alpha 28 Welding Tabletop to the BuildPro® Rotary Positioner for plane rotation of your work surface. The low backlash gear drive allows for smooth operation, stability, and controlled turning and positioning.

The worm gears combined with center of gravity positioning minimizes the effort required for rotation while preventing free rotation of the table from gravity. A faceplate with 15° increments provides positive manual locking. The BuildPro® Rotary Positioner allows you to rotate your weld fixture to the best ergonomic position for worker safety, comfort, and reduced operator fatigue.

The BuildPro® Rotary Positioner is universal, with an adjustable base to accommodate most standard BuildPro® or Alpha 28 Welding Tabletops. The Positioner features four swiveling, locking casters, and four leveling feet for setup at dedicated or alternating locations in the shop.

* Positioner Capacity: 1,100 kg.



**Tabletop sold separately.*

Table Mounting Brackets



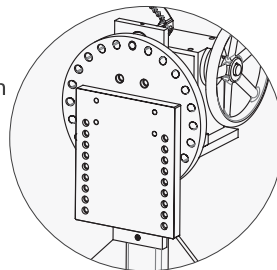
** For use with Alpha 28 Tabletops, contact our Sales Team: sales@stronghandtools.com*

ROTARY POSITIONERS

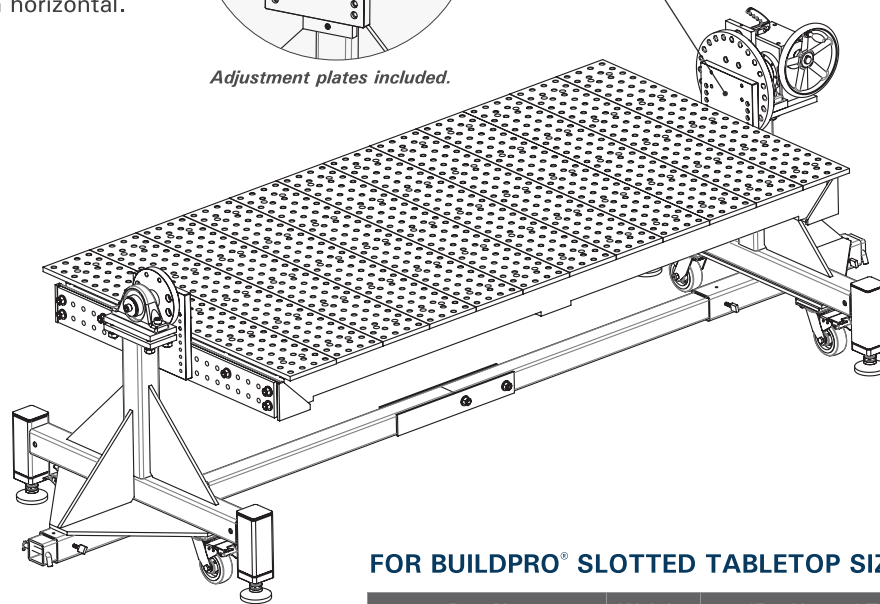


Our new adjustable outriggers allow greater stability when working with taller assemblies and can be retracted when not required.

Adjustment plates help shift the center of gravity in 25.4 mm increments when working with tall or heavy parts. This allows smoother rotation of assemblies up to 90° from horizontal.



Adjustment plates included.



FOR BUILDPRO® MAX TABLETOP SIZE

Part No. (Positioner + Mounting Brackets)	Weight (kg)	(For Use w/ Tabletop) (mm)
TMP625125	460	TM(Q)625125V (2,550 x 1,250)
TMP620125	456	TM(Q)620125V (1,950 x 1,250)
TMP61212	451	TM(Q)61212V (1,200 x 1,200)

FOR BUILDPRO® SLOTTED TABLETOP SIZE

Part No. (Positioner + Mounting Brackets)	Weight (kg)	(For Use w/ Tabletop) (mm)
TMP625125	460	TM(Q)625125SV (2,560 x 1,250)
TMP62010	455	TM(Q)62011SV (1,960 x 1,150) TM(Q)62010SV (1,960 x 1,000)
TMP61210	449	TM(Q)61211SV (1,160 x 1,150) TM(Q)61210SV (1,160 x 1,000)

*Tabletop sold separately.